



# UFO 100, 120 digital antenna

891020A

GB

## Mounting instructions



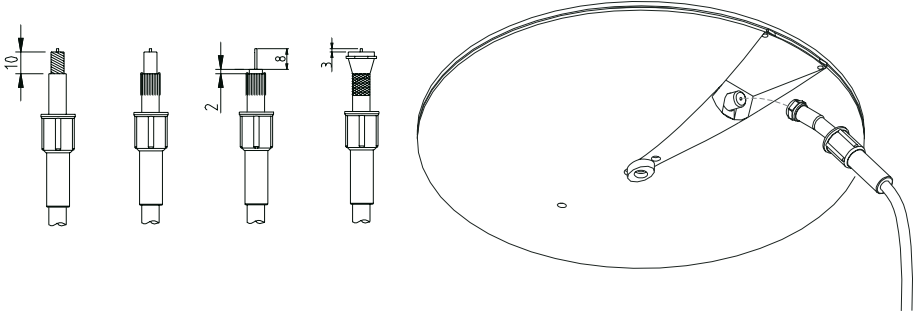
TRIAX - your ultimate connection

# UFO 100, 120

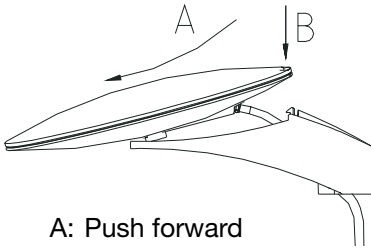
digital antenna

GB

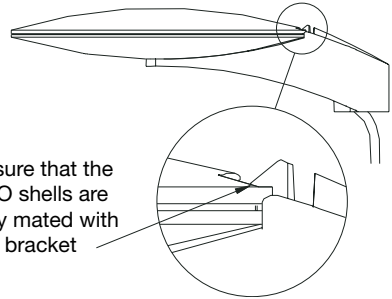
## Connection cable and assembly



## Mount UFO on base

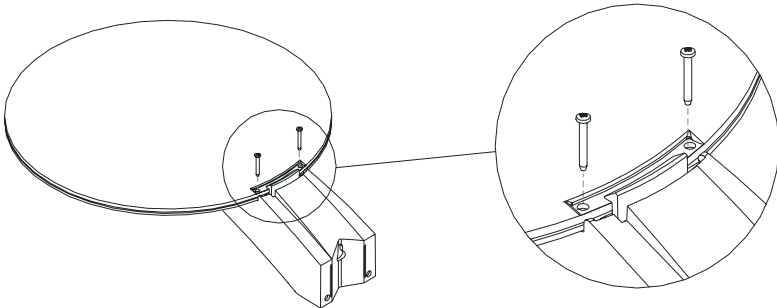


A: Push forward  
B: Push down

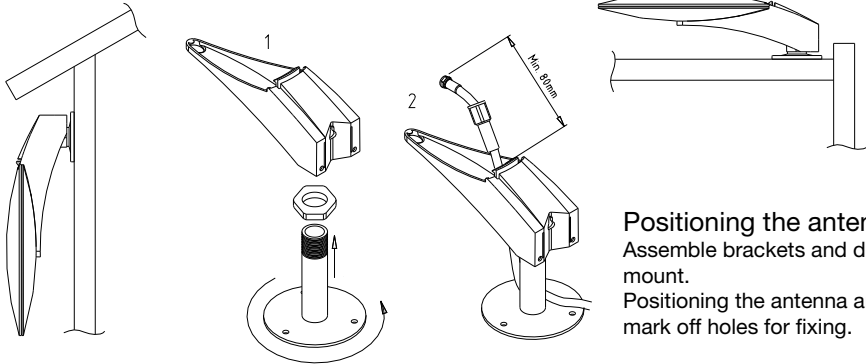


Ensure that the UFO shells are fully mated with the bracket

## Secure with enclosed screws



## Mounting options on vertical or horizontal surface

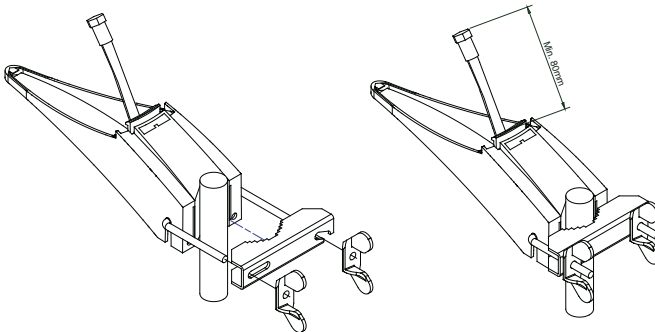


**Positioning the antenna:**  
 Assemble brackets and desk mount.  
 Positioning the antenna and mark off holes for fixing.

## Prepare the plastic base for mounting of U-clamp for mast bracket



## Mounting on mast.

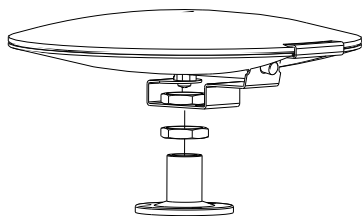


# UFO 100, 120

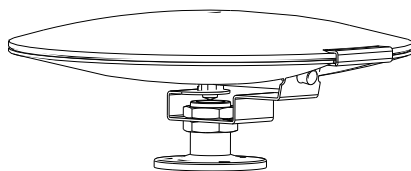
## digital antenna

GB

### Mounting with centre mount (UFO 120 digital)

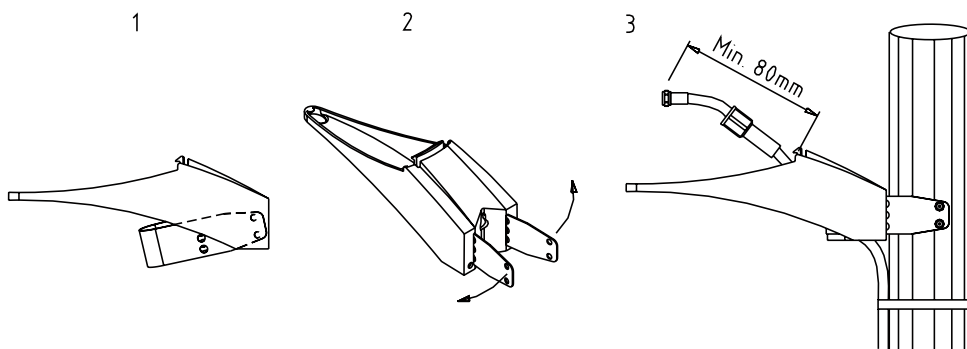


**Positioning the antenna:**  
Centre mounting bracket and deckmount. Position the antenna and mark off holes for fixing.



Positioned antenna  
and counter nut fixed.

### Mounting with universal mount (UFO 120 digital)



## Troubleshooting guide

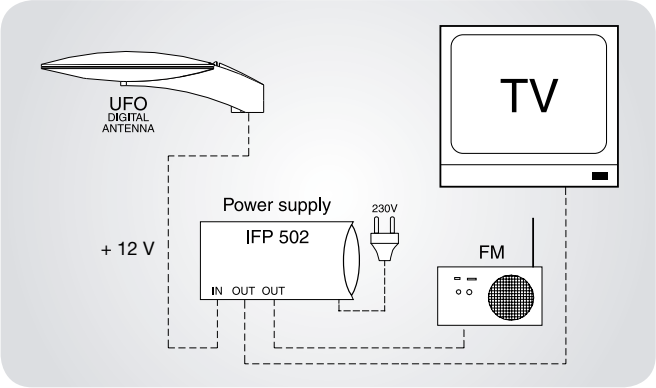
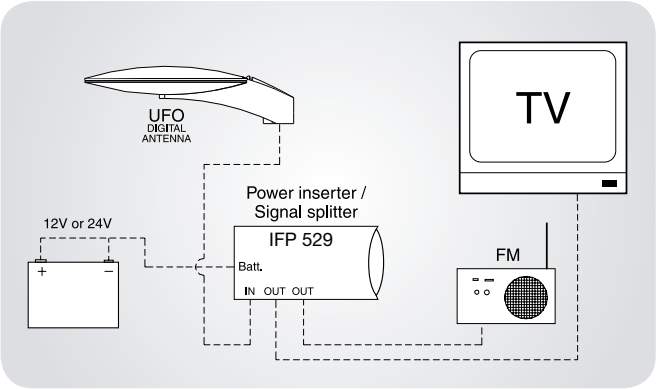
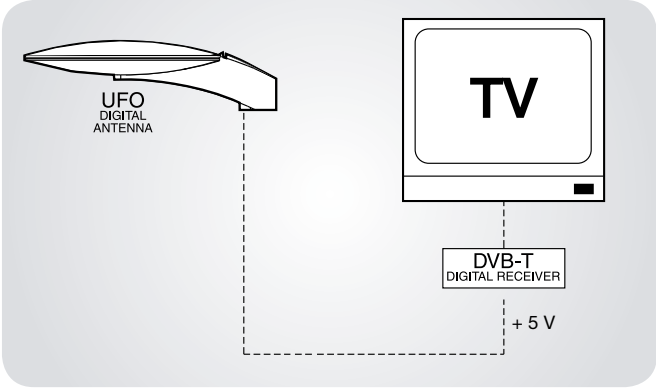
| Problem   | Possible root cause  | Solution  |
|---|--|---|
| Weak or missing signal<br>-check LED on power supply (PSU)                      | NO light indicates no voltage. Often this is caused by a short or a missing connection in the coax-cable or the cable connectors                     | Remove the cable from the PSU, if the LED goes ON, there is a short in the cable. Then repair or replace the cable.<br>If the LED is still off replace the PSU. |
| Weak or missing signal<br>-check LED on power supply (PSU)<br>-check LED on UFO | NO light indicates no voltage. Often this is caused by a short or a missing connection in the coax-cable or the cable connectors                     | If the LED is ON at the PSU, there is probably a missing connection in the cable or connectors.<br>Repair or replace.   |
| Interference; herring-bone pattern or white horizontal stripes in the picture.  | Interference is often caused by different electronic equipment - mobile phones, computers or transmitters -being used in close proximity to the UFO. | Increase the distance – increase the height of the UFO  |
| Ghosting; double pictures   | Ghosting is caused by the TV signal being reflected from buildings, large ships etc.   | Changing position a few meters, will often solve the problem.   |

# UFO 100, 120

digital antenna

GB

## Application examples



## Technical data

| Type                |           |            | UFO 100<br><i>Digital</i><br>109100 | UFO 120<br><i>Digital</i><br>109120                                    |
|---------------------|-----------|------------|-------------------------------------|--|
| Art. No.            |           |            |                                     |  |
| Frequency range     | FM        | MHz        | 87.5-108                            | 87.5-108   |
|                     | VHF       | MHz        | 174-230                             | 174-230  |
|                     | UHF       | MHz        | 470-862                             | 470-862  |
| Channels            |           |            | FM/5-12/21-69                       | FM/5-12/21-69  |
| Elements            |           | pcs.       | 1                                   | 1  |
| Opening angle       | ver./hor. | deg.       | 90/360                              | 90/360   |
| Windload            |           | N          | 5.5                                 | 5.5  |
| Gain                |           | dB         | 28                                  | 28   |
| Noise figure        |           | dB         | 2.5                                 | 2.5  |
| Max. output voltage |           | dB $\mu$ V | 108                                 | 108  |
| Supply voltage      |           | V          | 5-24                                | 5-24   |
| Power consumption   |           | mA         | 50                                  | 50   |
| Dimensions          | length    | mm         | 325                                 | 325  |
|                     | width     | mm         | 255                                 | 255  |
|                     | height    | mm         | 65                                  | 65   |
| Connector           |           |            | F-connectors                        | F-connectors   |
| Included            |           |            | Mast bracket Ø25-60<br>Plastic base | Mast bracket Ø25-60<br>Plastic base<br>Universal mount<br>Centre mount |



**Mast bracket**  
Ø25-60  
Art. No. 133223



**Plastic base**  
Art. No. 133220



**Universal mount**  
Art. No. 133222



**Centre mount**  
Art. No. 133225

## Accessories



**IFP 502**  
Power supply  
Art. No. 339502



**IFP 529**  
Power inserter  
Art. No. 339529



891020A

06-2009

### **DECLARATION OF CONFORMITY**

TRIAX confirms that the product conforms to relevant EEC harmonized standards and consequently can carry CE-mark.

Relevant harmonized standards:  
EN 50083 and EN 60065

Dealer

**A product of the TRIAX group**

[www.triax.com](http://www.triax.com)



TRIAX - your ultimate connection